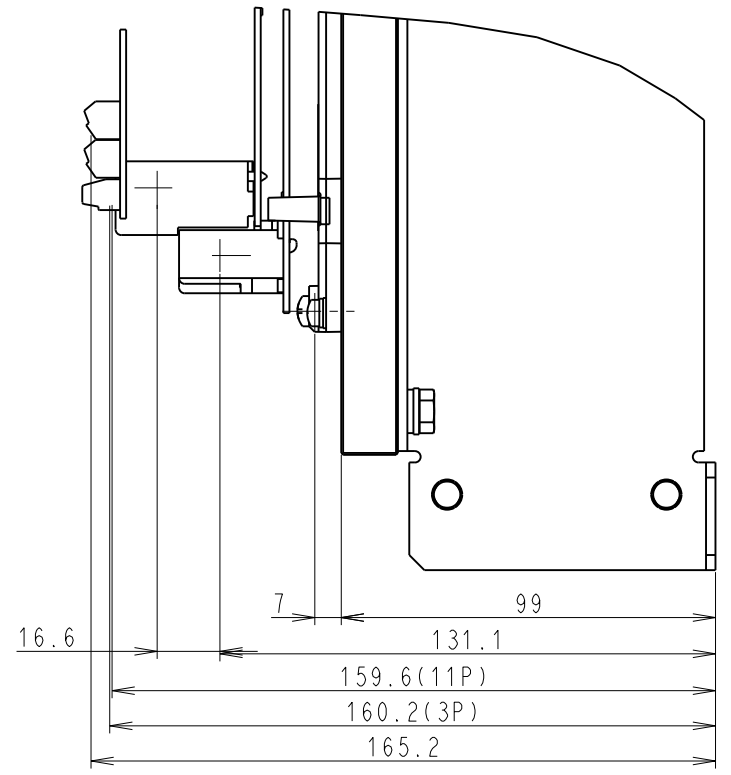
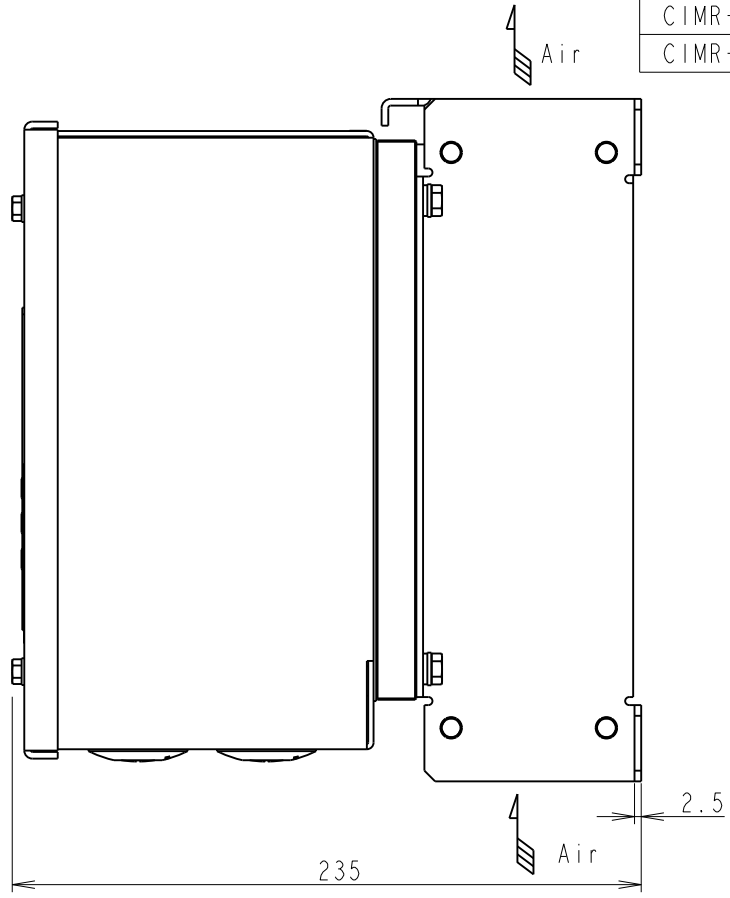
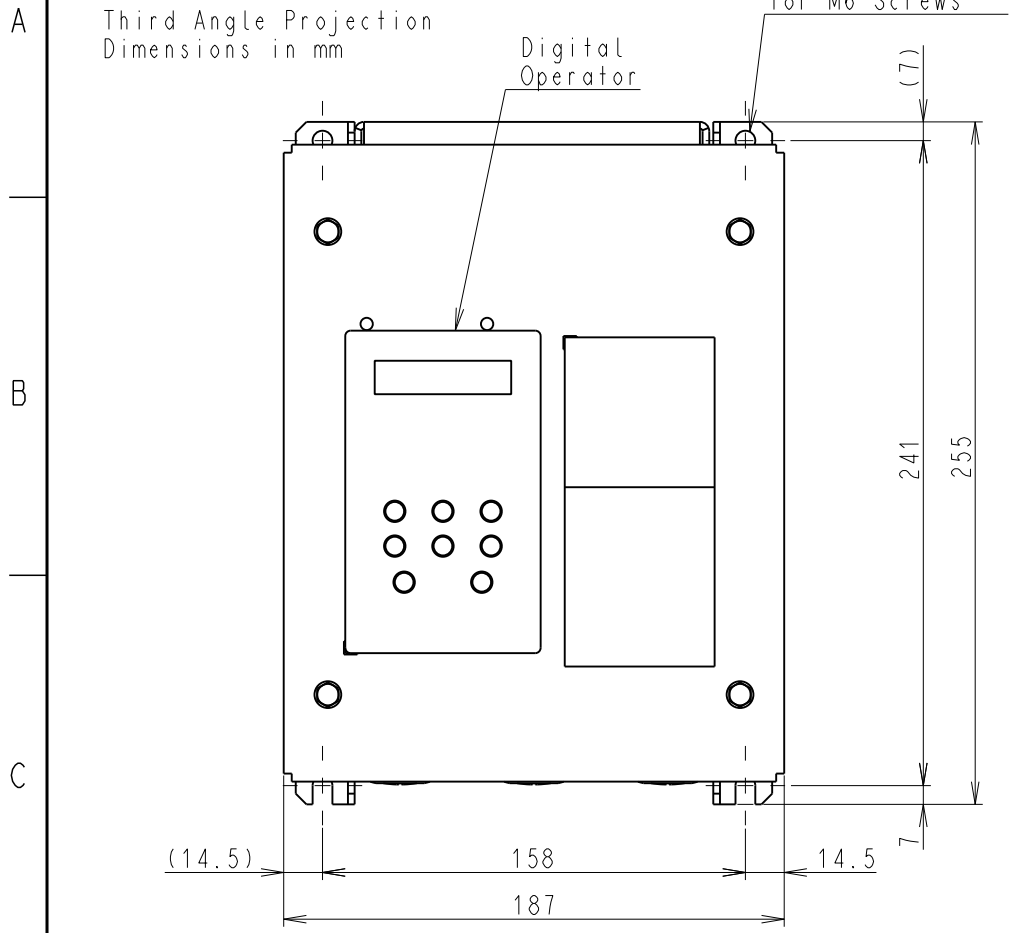
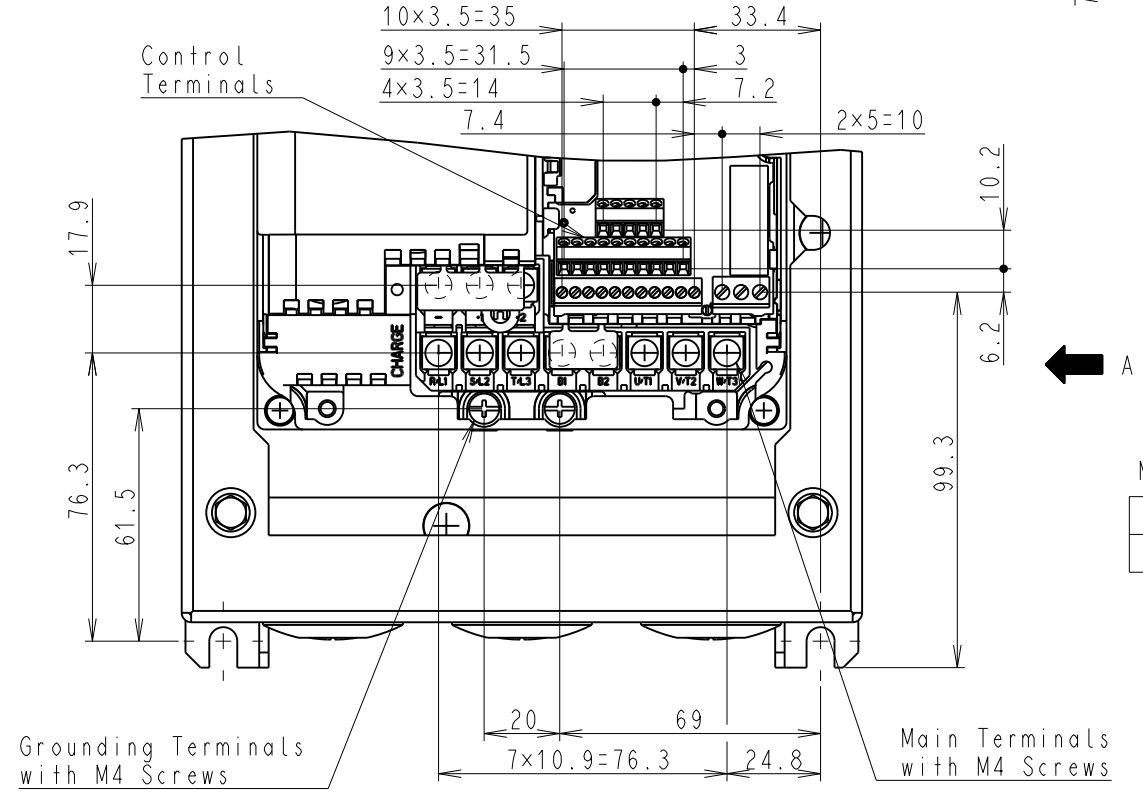
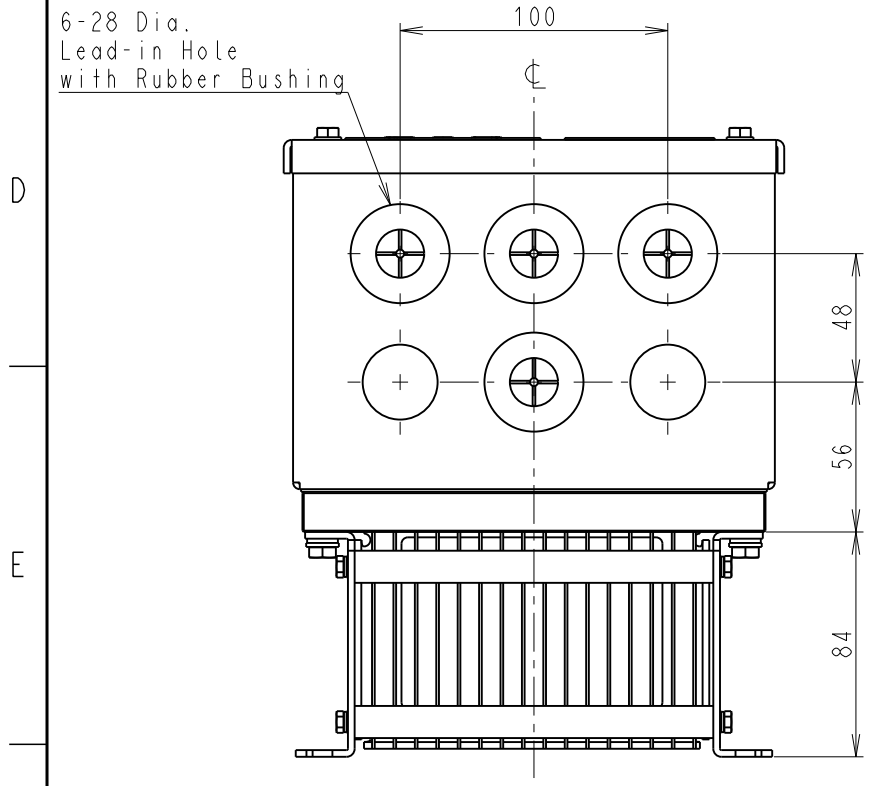


DWG. NO. EZZ901711-1/1

Model No.	Max Appli. Motor (kW)		Terminal Symbol			Cooling Fan	Mass (kg)
	Normal Duty	Heavy Duty	INPUT OUTPUT(MOTOR)				
CIMR-V#2A0018G	3.7	3.0	R/L1 S/L2 T/L3	U/T1	V/T2	-	8.1
CIMR-V#2A0020G	5.5	3.7					8.1
CIMR-V#4A0011G	5.5	3.7					8.1



View A



Main Terminal Location

-	+1	+2				
R/L1	S/L2	T/L3	B1	B2	U/T1	V/T2 W/T3

Detail (without Front cover) SCALE 1:2

REVISIONS	 SCALE 1 : 2√2	 YASKAWA	DRAW. Jul.17,2008 K. Isomoto	TITLE V1000 NEMA4X/IP66 TYPE	DWG. NO. EZZ901711	1	REV.	
			CHECK Jul.17,2008 K. Fukuda					1
			APPR. Jul.17,2008 H. Okayama					